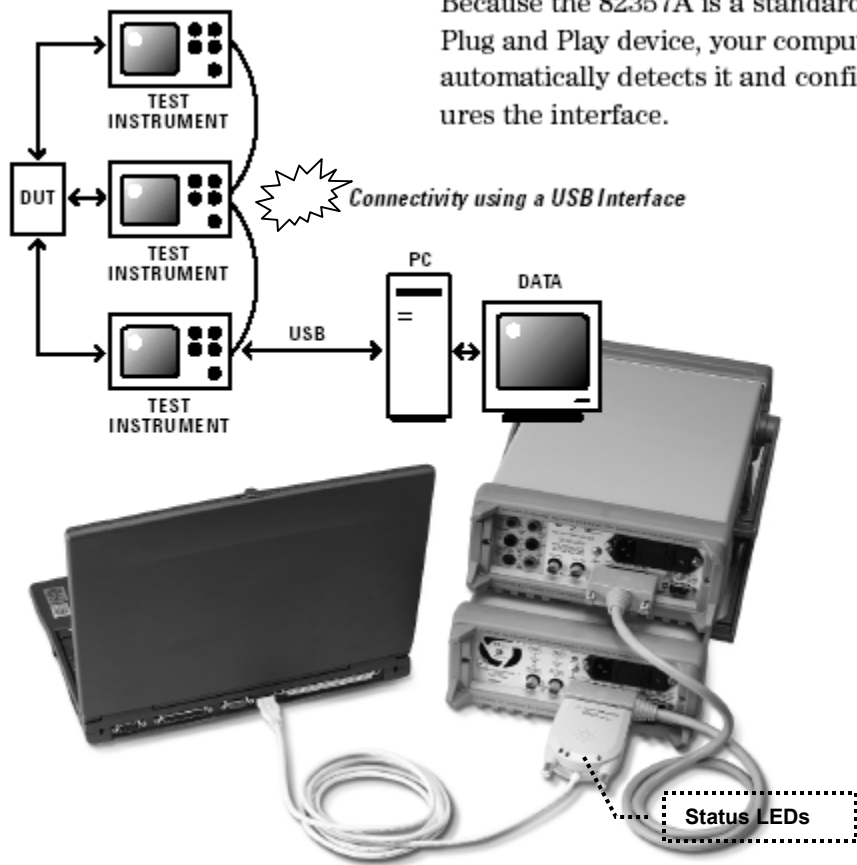


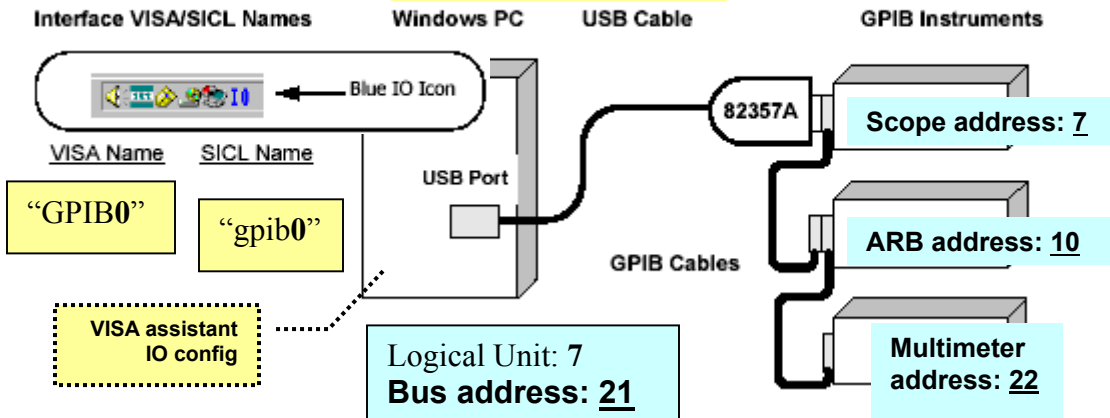
82357A USB/GPIB Interface (and IO Libraries)



Because the 82357A is a standard Plug and Play device, your computer automatically detects it and configures the interface.

Typical System Installation - 82357 USB/GPIB Interface

Accept DEFAULT settings !!



Note: **VISA** = Virtual Instrumentation Software Architecture
SICL = Standard Instrument Control Library

After the 82357A is successfully installed and configured, the interface should act as a **transparent** interface for programming GPIB instruments.

IO Libraries Interface Matrix

This table shows which version of the IO Libraries is recommended based on the IO interface and Operating System used.

Interface		Windows Operating System							
Type	Product	XP	2000	NT 4.0	NT 3.51	Me	98	95	3.1
USB	USB Instruments*	M.01.00 Single or Dual CPU	M.01.00 Single or Dual CPU	No	No	M.01.00	M.01.00	No	No
	82357A GPIB	M.01.00 Single or Dual CPU	M.01.00 Single or Dual CPU	No	No	M.01.00	M.01.00	No	No

* USB Instruments are those that support the USBTMC or USBTMC-USB488 specifications.

IO Libraries Revision Matrix

IO Libraries Revision	Supported Operating Systems	Supported Interfaces	Notes
IO Libraries M.01.00	Windows 98 SE Windows Me Windows NT 4.0 Windows 2000 Windows XP	USB Instruments * 82357A USB/GPIB Interface <hr/> 82350B 5V PCI GPIB Interface 82350A PCI GPIB Interface etc.	Added Support: <ul style="list-style-type: none"> USB Instruments * VISA-COM installed with the IO Libraries
IO Libraries L.02.01	Windows 98 SE Windows Me Windows NT 4.0 Windows 2000 Windows XP Professional	82357A USB/GPIB Interface <hr/> 82350B 5V PCI GPIB Interface 82350A PCI GPIB Interface etc.	Added Support: <ul style="list-style-type: none"> 82350B 5V PCI GPIB Interface
IO Libraries L.02.00	Windows 98 SE Windows Me Windows NT 4.0 Windows 2000 Windows XP Professional	82357A USB/GPIB Interface <hr/> 82350A PCI GPIB Interface E5810A LAN/GPIB Gateway E2050A/B LAN/GPIB Gateway 82341C ISA GPIB Interface (Windows 98 SE, NT 4.0, 2000 only) E1406A VXI Command Module (GPIB) E8491B VXI IEEE 1394 Slot 0 (FireWire) RS-232	Added Support: <ul style="list-style-type: none"> 82357A patches Basic for Windows 82350A patches Agilent T&M Programmers Toolkit for Visual Studio .NET VISA locking over TCPIP

Last change of this page: Feb-25-2003 - [ftp://ftp.agilent.com/pub/mpusup/agilent/iolib/IORevMatrix.html](http://ftp.agilent.com/pub/mpusup/agilent/iolib/IORevMatrix.html)